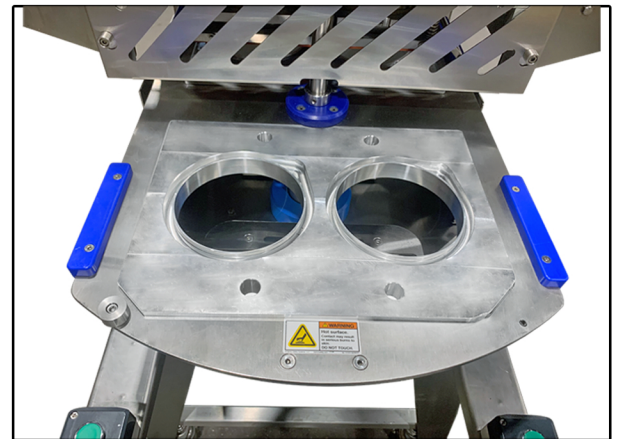
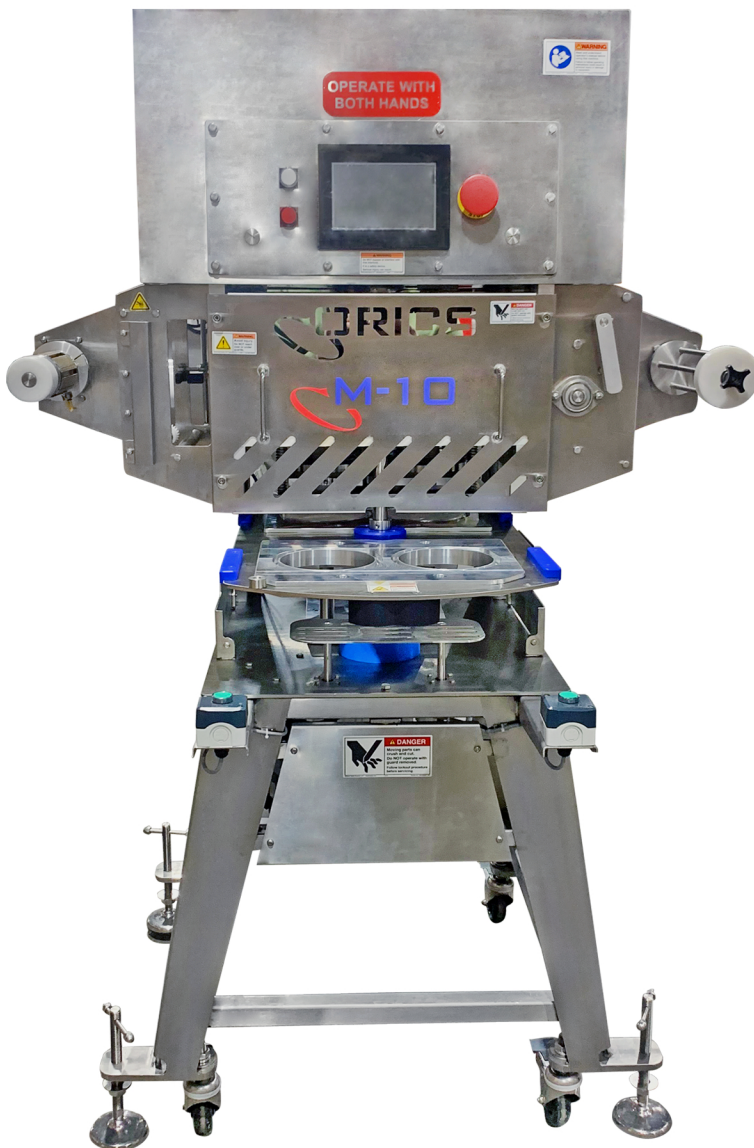




M-10R / M-10RS

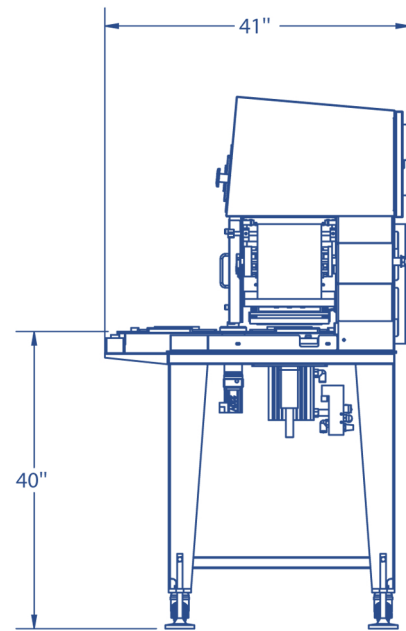
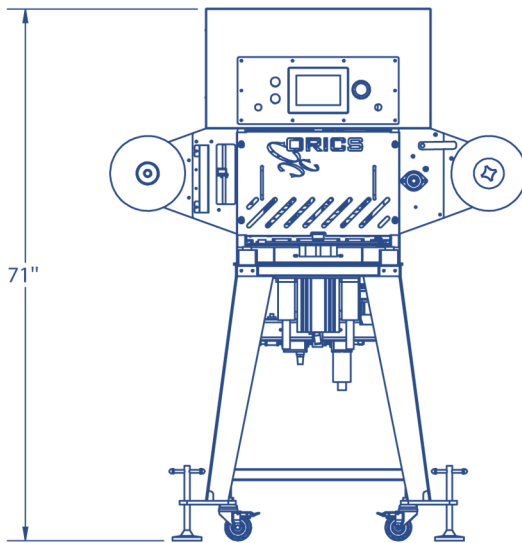
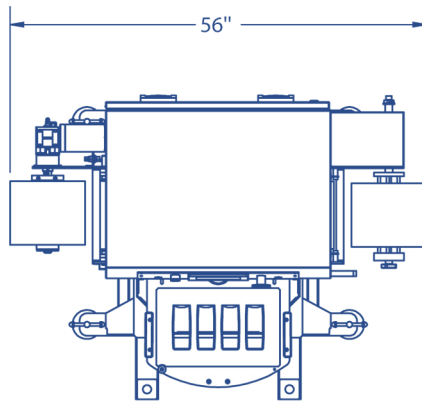
M-10R - Manual Rotary Tray/Cup Sealing Machine. M-10RS - Servo Rotary Tray/Cup Sealing Machine. Designed for small/mid-volume packaging, the versatile M-10 can accommodate trays/cups of virtually any shape or size. It can run up to 10 cyc/min, straight seal with manual loading and unloading. Gasflush option is available. The M-10 is the perfect choice for small product R&D, product development and packaging material test.



Quick & Easy Tool Change



M-10R / M-10RS



Features

- Meets or exceeds all FDA and USDA standards
- Automatic film feed with optional print registration
- Designed for quick, easy and inexpensive change-over
- Constructed from anodized aluminum and stainless steel
- Tray carriers and tooling are custom designed for each package