



**ORICS**  
240 SMITH STREET  
FARMINGDALE, NY 11735  
TEL: (718) 461-8613 • WEB: WWW.ORICS.COM

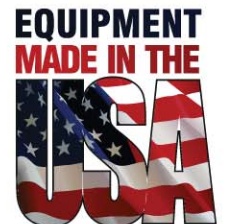
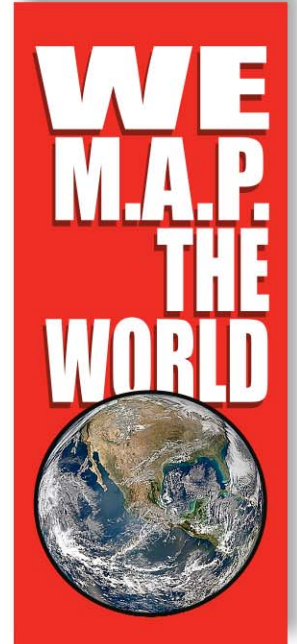
VGF-200

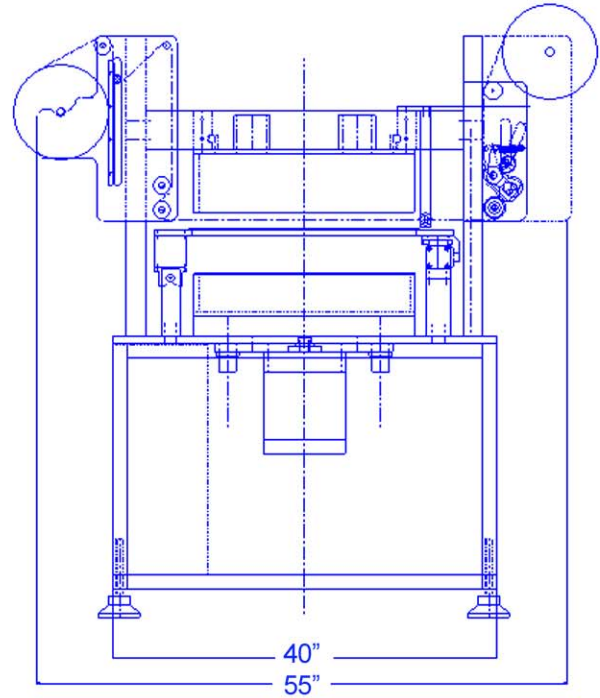
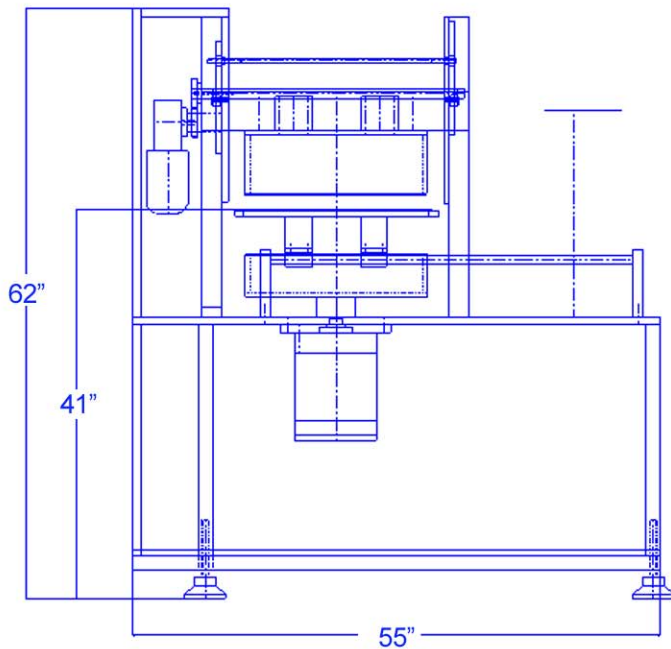


Tabletop style sealer  
Designed for medium-volume  
Modified Atmosphere packaging

4-up configuration  
Up to 5 cycles per minute  
Works with all materials

Automatic film feed system  
Registered or non/registered film  
Option for pre-cut board lid sealing





All machine functions  
are controlled from a  
digital display touch pad

### More Features

- Consistent residual O<sub>2</sub> levels
- Integrated 5HP vacuum pump
- Meets or exceeds all FDA and USDA standards
- Stainless steel frame, mounted on leveling pads
- Constructed to withstand wash-down environment
- Equipped with programmable logic controller (PLC)
- Designed to work with your specific barrier material
- Designed for quick, easy and inexpensive changeover
- Tray carriers and tooling are custom designed for each package
- Film feeder mechanism operates with two independent drives

