



ORICS INDUSTRIES INC.
AUTOMATIC SYSTEMS ENGINEERING

SLTS-850



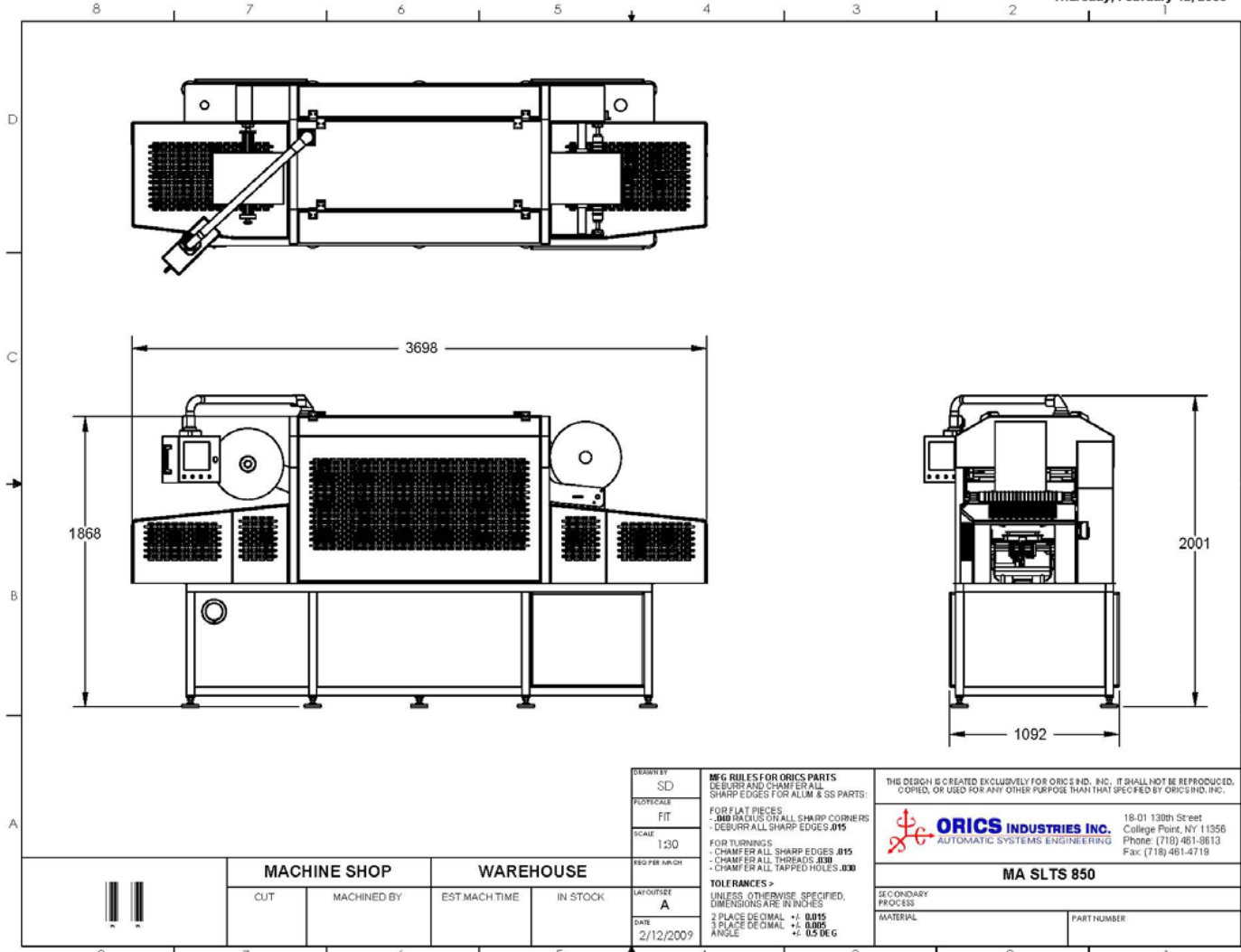
Orics Industries, Inc. 240 Smith Street, Farmingdale, NY 11735
Tel: 718-461-8613 Fax: 718-461-4719 www.orics.com


CONFIDENTIAL

page 1 of 4

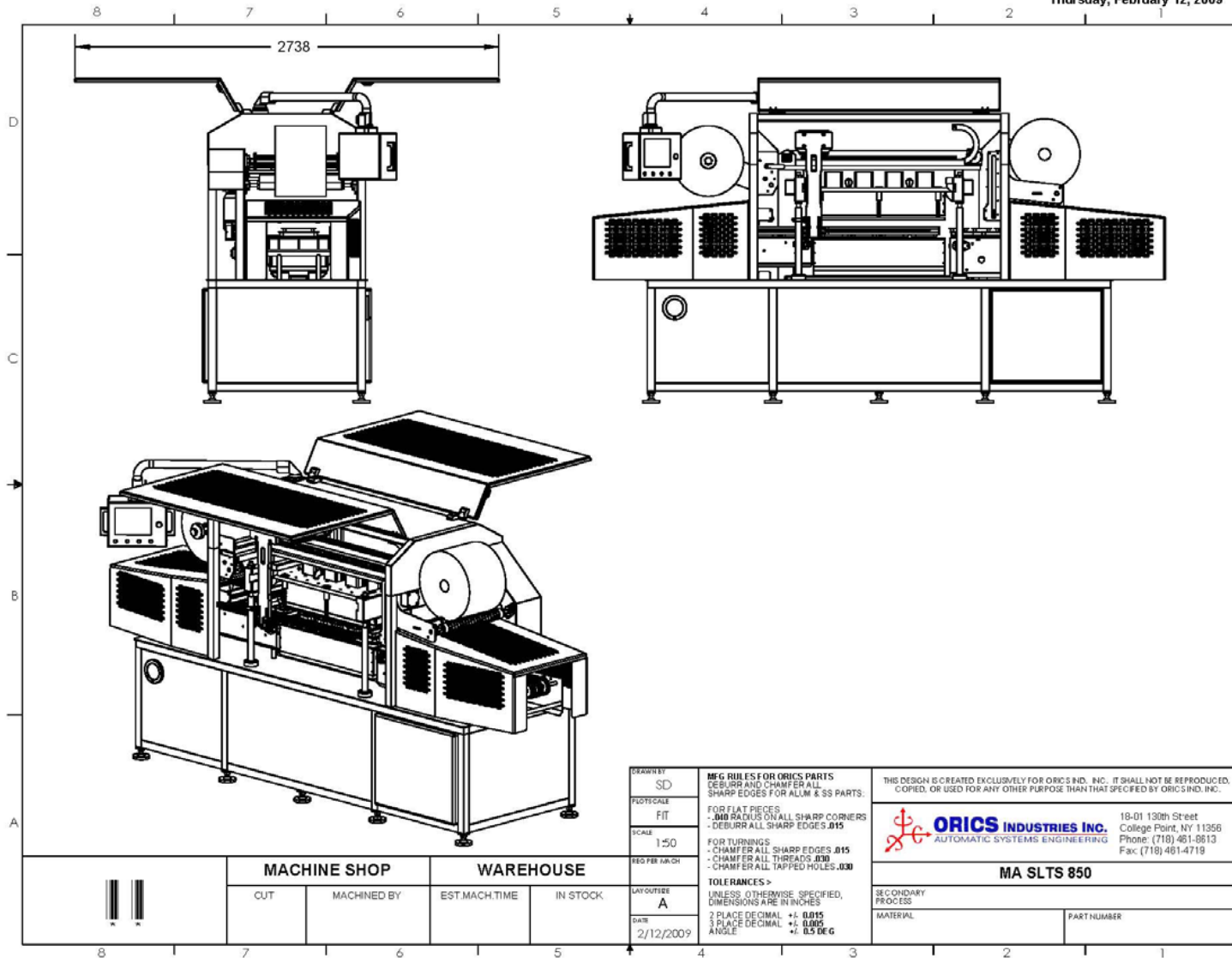


Thursday, February 12, 2009



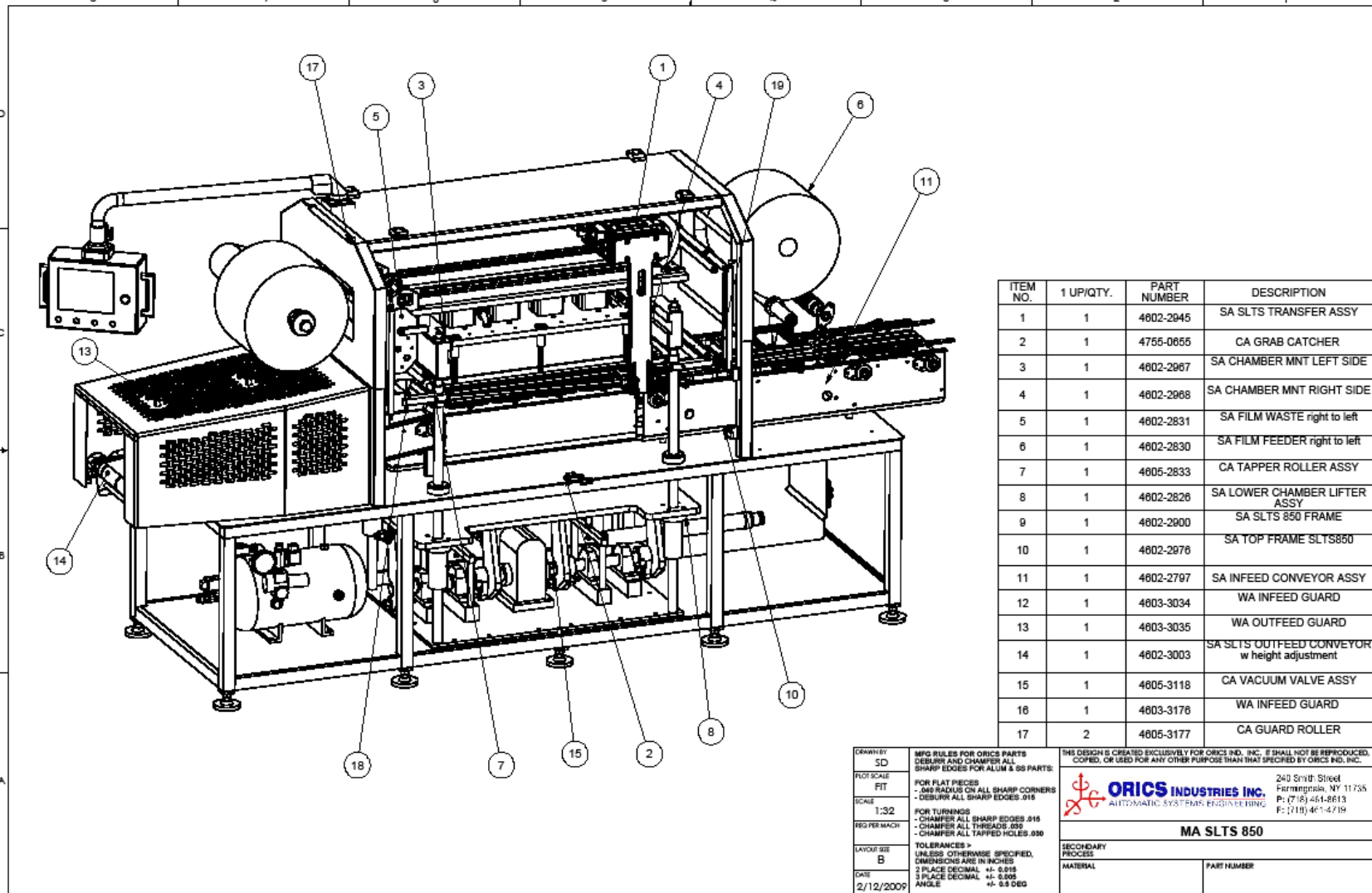
DRAWN BY SD	MFG RULES FOR ORICS PARTS DEBURR AND CHAMFER ALL SHARP EDGES FOR ALL M & SS PARTS:	THIS DESIGN IS CREATED EXCLUSIVELY FOR ORICS IND. INC. IT SHALL NOT BE REPRODUCED, COPIED, OR USED FOR ANY OTHER PURPOSE THAN THAT SPECIFIED BY ORICS IND. INC.														
FIT FIT	FOR FLAT PIECES - .002 RADIUS ON ALL SHARP CORNERS - DEBURR ALL SHARP EDGES .015															
SCALE 1:30	FOR TURNINGS - CHAMFER ALL SHARP EDGES .015 - CHAMFER ALL THROATS .030 - CHAMFER ALL TAPPED HOLES .030	 ORICS INDUSTRIES INC. AUTOMATIC SYSTEMS ENGINEERING 18.01 130th Street College Point, NY 11356 Phone: (718) 461-8613 Fax: (718) 461-4719														
REQ/FER ARCH	TOLERANCES > UNLESS OTHERWISE SPECIFIED, DIMENSIONS ARE IN INCHES 2 PLACE DECIMAL +/- .0015 3 PLACE DECIMAL +/- .0005 ANGLE +/- .5 DEG															
<table border="1"> <tr> <th colspan="2">MACHINE SHOP</th> <th colspan="2">WAREHOUSE</th> </tr> <tr> <td>CUT</td> <td>MACHINED BY</td> <td>EST MACH TIME</td> <td>IN STOCK</td> </tr> </table>		MACHINE SHOP		WAREHOUSE		CUT	MACHINED BY	EST MACH TIME	IN STOCK	<table border="1"> <tr> <td colspan="2">MA SLTS 850</td> </tr> <tr> <td>SECONDARY PROCESS</td> <td>PART NUMBER</td> </tr> <tr> <td>MATERIAL</td> <td></td> </tr> </table>	MA SLTS 850		SECONDARY PROCESS	PART NUMBER	MATERIAL	
MACHINE SHOP		WAREHOUSE														
CUT	MACHINED BY	EST MACH TIME	IN STOCK													
MA SLTS 850																
SECONDARY PROCESS	PART NUMBER															
MATERIAL																
LAYOUT/SEE A	DATE 2/12/2009															

000 SLTS 1x4 machine ASSY >>> S:\Project Documentation\2009\SLTS 850_Reiser_7291\Design Mechanical\SLTS




DRAWN BY SD	MFG RULES FOR ORICS PARTS DEBURR AND CHAMFER ALL SHARP EDGES FOR ALUM & SS PARTS:	THIS DESIGN IS CREATED EXCLUSIVELY FOR ORICS IND. INC. IT SHALL NOT BE REPRODUCED, COPIED, OR USED FOR ANY OTHER PURPOSE THAN THAT SPECIFIED BY ORICS IND. INC.
PROF SCALE FIT	FOR FLAT PIECES - .000 RADIUS ON ALL SHARP CORNERS - DEBURR ALL SHARP EDGES .015	18-01 130th Street College Point, NY 11356 Phone: (718) 461-8613 Fax: (718) 461-4719
SCALE 1:50	FOR TURNINGS - CHAMFER ALL SHARP EDGES .015 - CHAMFER ALL THREADS .030 - CHAMFER ALL TAPPED HOLES .030	ORICS INDUSTRIES INC. AUTOMATIC SYSTEMS ENGINEERING
REQ PER VENDOR	TOLEANCES > UNLESS OTHERWISE SPECIFIED, DIMENSIONS ARE IN INCHES	MA SLTS 850
LAYOUT A	2 PLACE DECIMAL $\pm .0015$ 3 PLACE DECIMAL $\pm .0005$ ANGLE $\pm .5$ DEG	SECONDARY PROCESS
DATE 2/12/2009		MATERIAL
		PART NUMBER

000 SLTS 1x4 machine ASSY >>> S:\Project Documentation\2009\SLTS 850_Reiser_7281\Design Mechanical\SLTS



ITEM NO.	1 U/QTY.	PART NUMBER	DESCRIPTION
1	1	4602-2945	SA SLTS TRANSFER ASSY
2	1	4755-0655	CA GRAB CATCHER
3	1	4602-2967	SA CHAMBER MNT LEFT SIDE
4	1	4602-2968	SA CHAMBER MNT RIGHT SIDE
5	1	4602-2831	SA FILM WASTE right to left
6	1	4602-2830	SA FILM FEEDER right to left
7	1	4605-2833	CA TAPPER ROLLER ASSY
8	1	4602-2826	SA LOWER CHAMBER LIFTER ASSY
9	1	4602-2900	SA SLTS 850 FRAME
10	1	4602-2976	SA TOP FRAME SLTS850
11	1	4602-2797	SA INFEEED CONVEYOR ASSY
12	1	4603-3034	WA INFEEED GUARD
13	1	4603-3035	WA OUTFEED GUARD
14	1	4602-3003	SA SLTS' OUTFEED CONVEYOR w height adjustment
15	1	4605-3118	CA VACUUM VALVE ASSY
16	1	4603-3176	WA INFEEED GUARD
17	2	4605-3177	CA GUARD ROLLER

DRAWN BY: SD PLOT SCALE: FIT SCALE: 1:32 REQ PER MACH: LAYERS: B DATE: 2/12/2009	MFG RULES FOR ORICS PARTS DEBURR AND CHAMFER ALL SHARP EDGES FOR ALUM & SS PARTS: FOR FLAT PIECES - .040 RADIUS ON ALL SHARP CORNERS - DEBURR ALL SHARP EDGES .015 FOR TURNINGS - CHAMFER ALL SHARP EDGES .015 - CHAMFER ALL THREADS .05 - CHAMFER ALL TAPPED HOLES .030 TOLERANCES > UNLESS OTHERWISE SPECIFIED, DIMENSIONS ARE IN INCHES 2 PLACE DECIMAL +/- 0.015 3 PLACE DECIMAL +/- 0.005 ANGLE +/- 0.5 DEG	THIS DESIGN IS CREATED EXCLUSIVELY FOR ORICS IND. INC. IT SHALL NOT BE REPRODUCED, COPIED, OR USED FOR ANY OTHER PURPOSE THAN THAT SPECIFIED BY ORICS IND. INC.  ORICS INDUSTRIES INC. AUTOMATIC SYSTEMS ENGINEERING 240 Smith Street Farmingdale, NY 11735 P: (718) 461-8613 F: (718) 461-4719
MA SLTS 850		
SECONDARY PROCESS		PART NUMBER
MATERIAL		

000 4601-3050 - MA SLTS 850 >>>