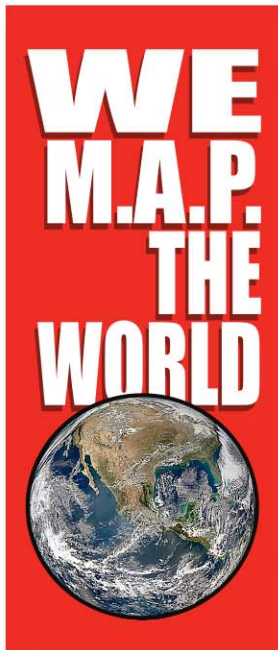


VGF-100



M.A.P TRAY SEALER

2 UP CONFIGURATION

UP TO 5 CYCLES PER MINUTE

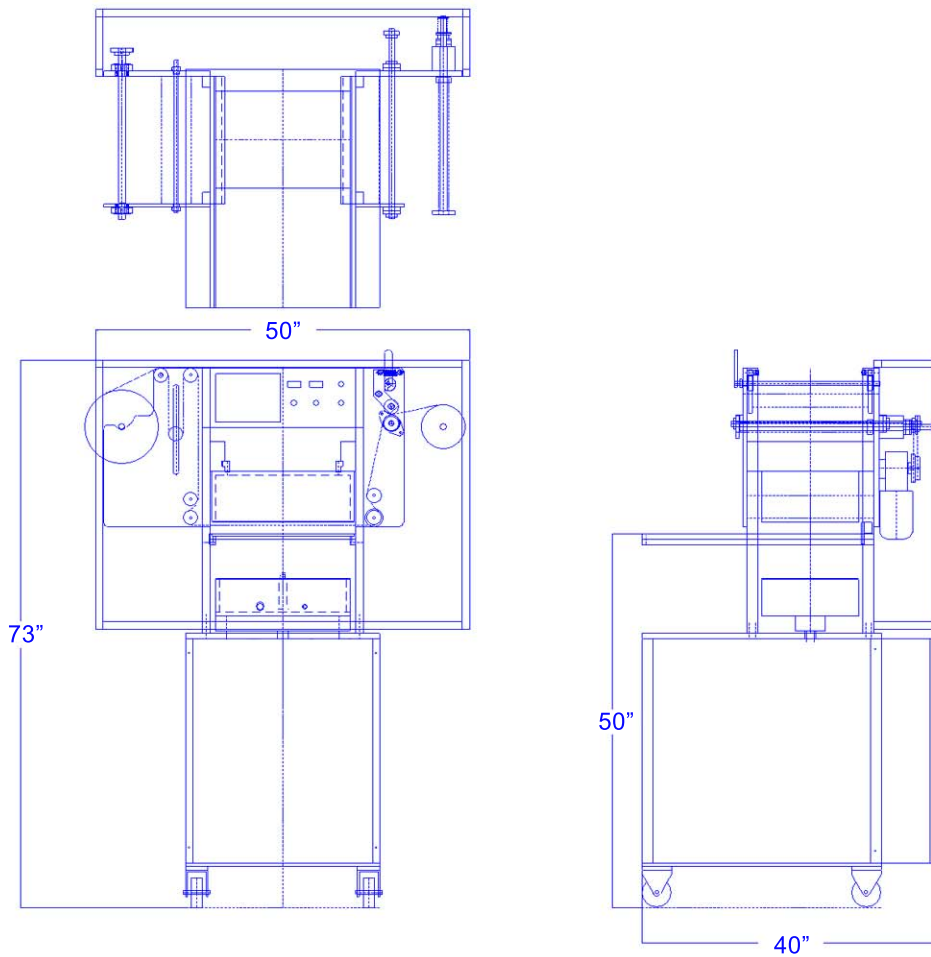
CASTERS ALLOW MOBILITY

FUNCTIONAL WITH ALL MATERIALS

**QUICK CHANGE
TOOLING IS
INTERCHANGEABLE
WITH THE ORICS R-20**



VGF-100



All machine functions
are controlled from a
digital display touch pad

Features

- Frame is mounted on casters
- Built-in 2HP vacuum pump (3HP optional)
- Stainless steel and anodized aluminum frame
- Meets or exceeds all FDA and USDA standards
- Designed for quick, easy and inexpensive change-over
- Tray carriers and tooling are custom designed for each package

