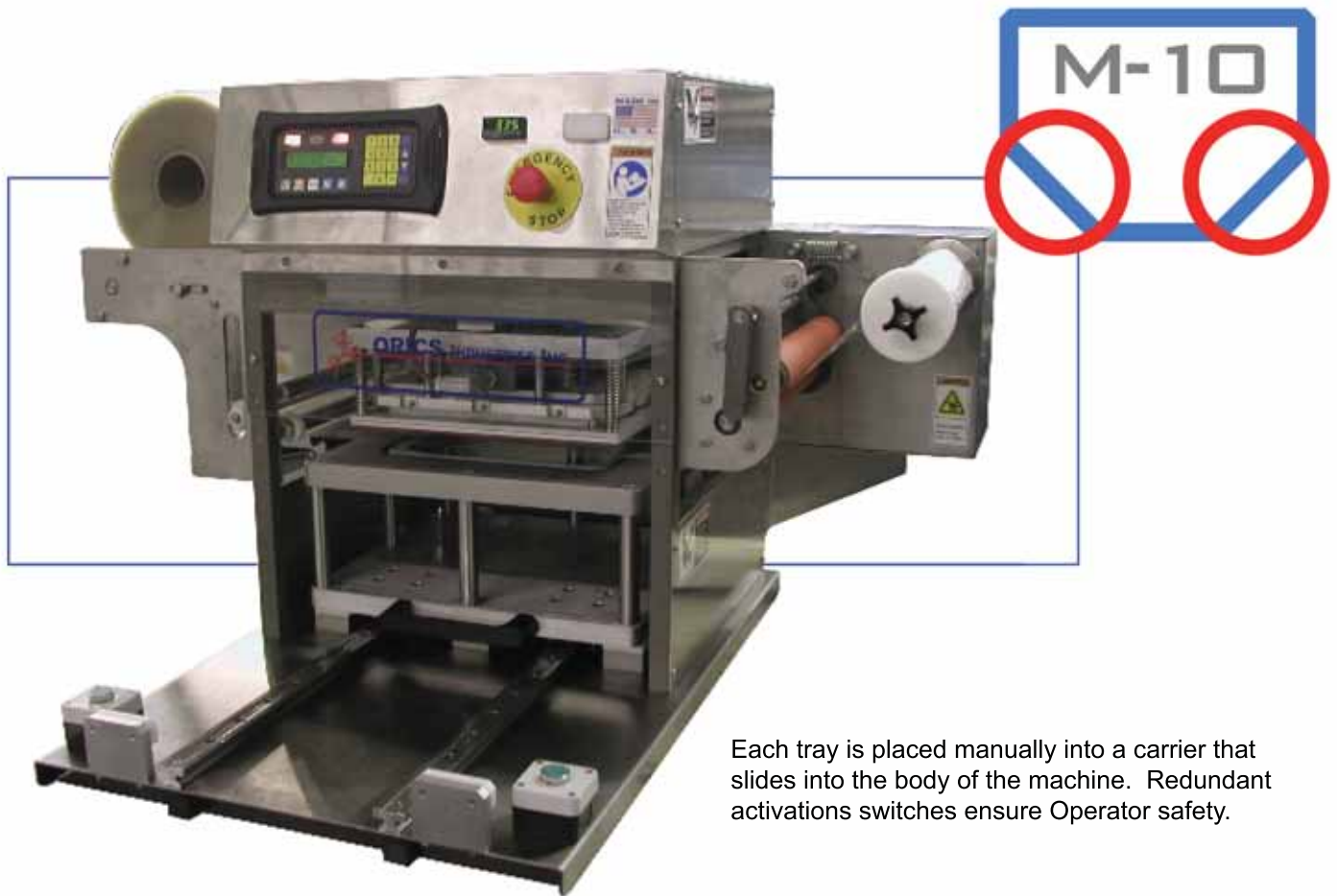




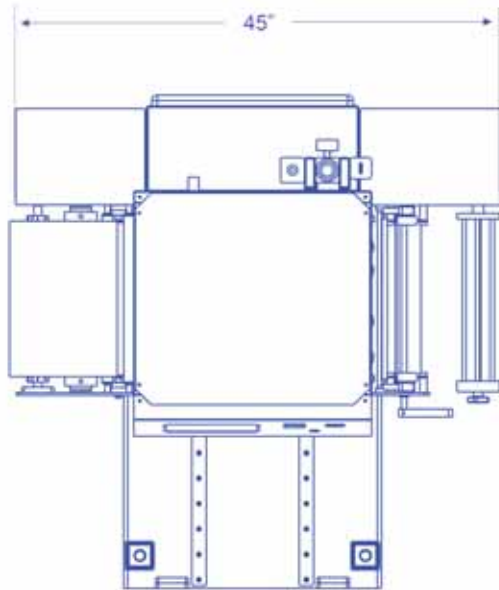
M-10

Designed for small-volume packaging applications, the versatile M-10 can accommodate trays of virtually any size or shape. What's more, the M-10 can, depending on the container's size, seal multiple packages with every cycle. With its manual loading and unloading and up to 10 cycles-per-minute speed, the M-10 can seal as many as 30 containers per minute. This makes the ORICS M-10 the perfect choice for R&D, product development and material testing applications.

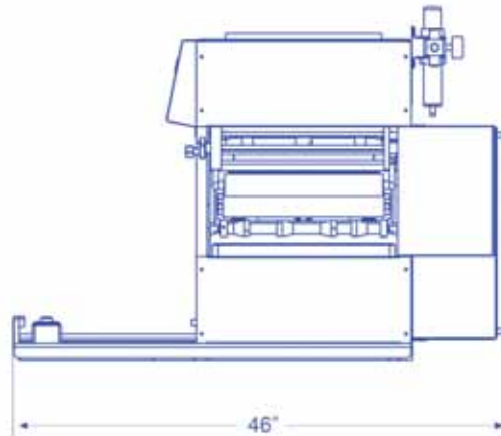
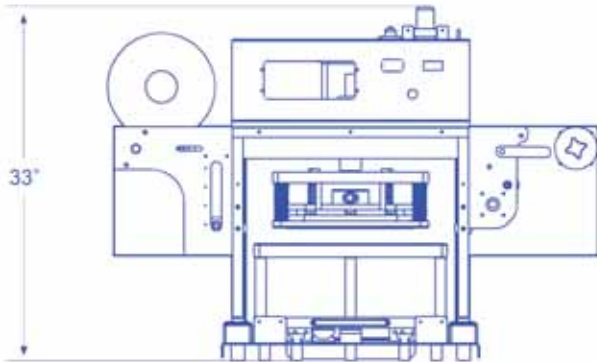


Each tray is placed manually into a carrier that slides into the body of the machine. Redundant activations switches ensure Operator safety.

240 Smith Street
Farmingdale, NY
Phone: 718.461.8613
Fax: 718.461.4719
www.orics.com
info@orics.com



M-10



**SEAL ONLY
APPLICATION**

Features

- Meets or exceeds all FDA and USDA standards
- Automatic film feed with optional print registration
- Designed for quick, easy and inexpensive change-over
- Constructed from anodized aluminum and stainless steel
- Tray carriers and tooling are custom designed for each package

ORICS